

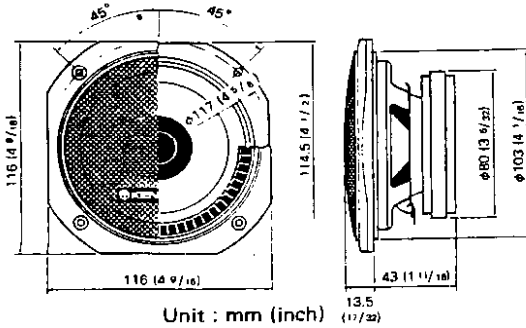
KFC-103



KFC-103 SPECIFICATION

SPEAKER TYPE: 10 Cm (4 inch). DUAL CONE
MAXIMUM INPUT: 20 watts
SENSITIVITY: 91 dB/w/m
FREQUENCY RESPONSE: 80-20,000 Hz
NOMINAL IMPEDANCE: 4 ohms
MAGNET: 180 g (6.5oz) HIGH ENERGY STRONTIUM MAGNET
GRILLE MATERIAL: HEATPROOF RESIN. STEEL WIRE MESH
INSULATED CABLE: 4 m (13.1 feet).2 Pcs
WEIGHT PER SPEAKER: 650 g (1lbs 7 oz)
GROSS WEIGHT: 1.5 kg (3 lbs 4 oz)

KFC-103



KFC-103 PARTS LIST

Ref. No.	Parts No.	Description	Re- marks
-	B06-0151-08	Front grille	
-	B50-3651-00	Instruction manual	
-	E30-1033-08	Speaker cord (RED)	
-	E30-1034-08	Speaker cord (BLUE)	
-	F09-0240-05	Cover	
-	H01-3764-18	Carton box	
-	H10-2074-08	Fixture	
-	T07-0106-08	Speaker	